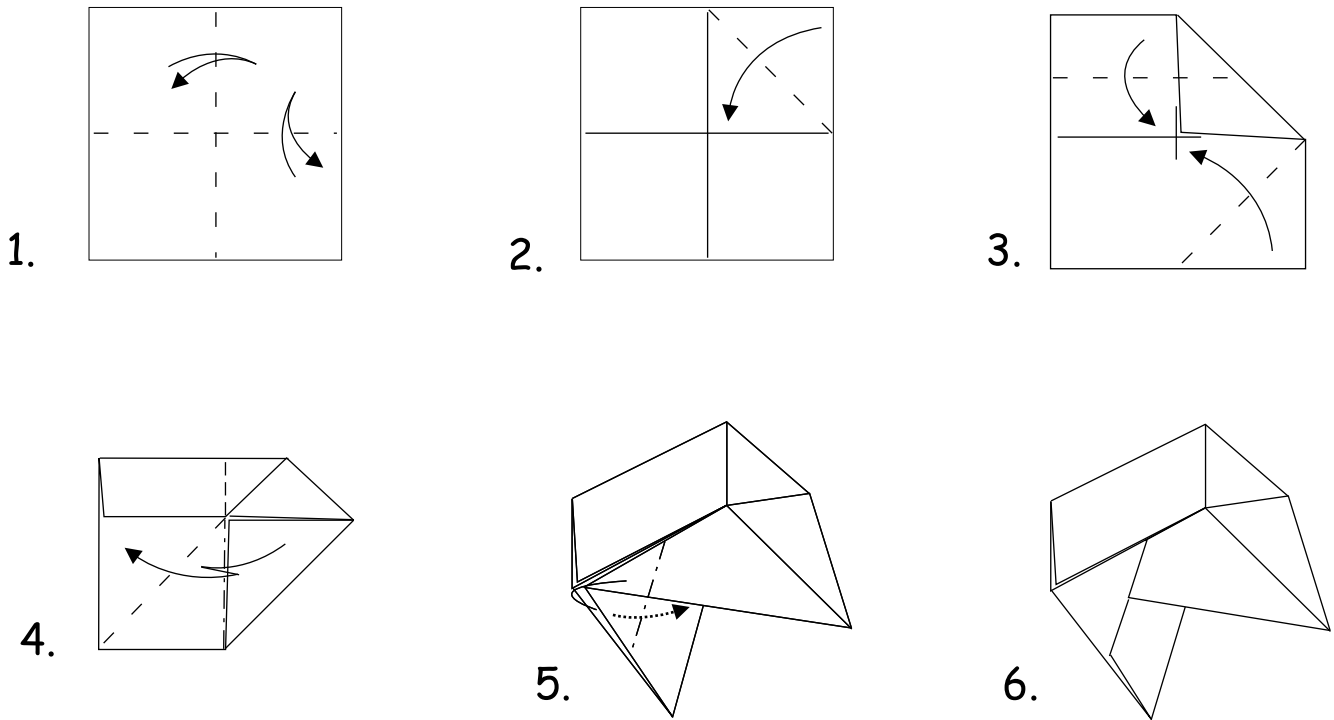


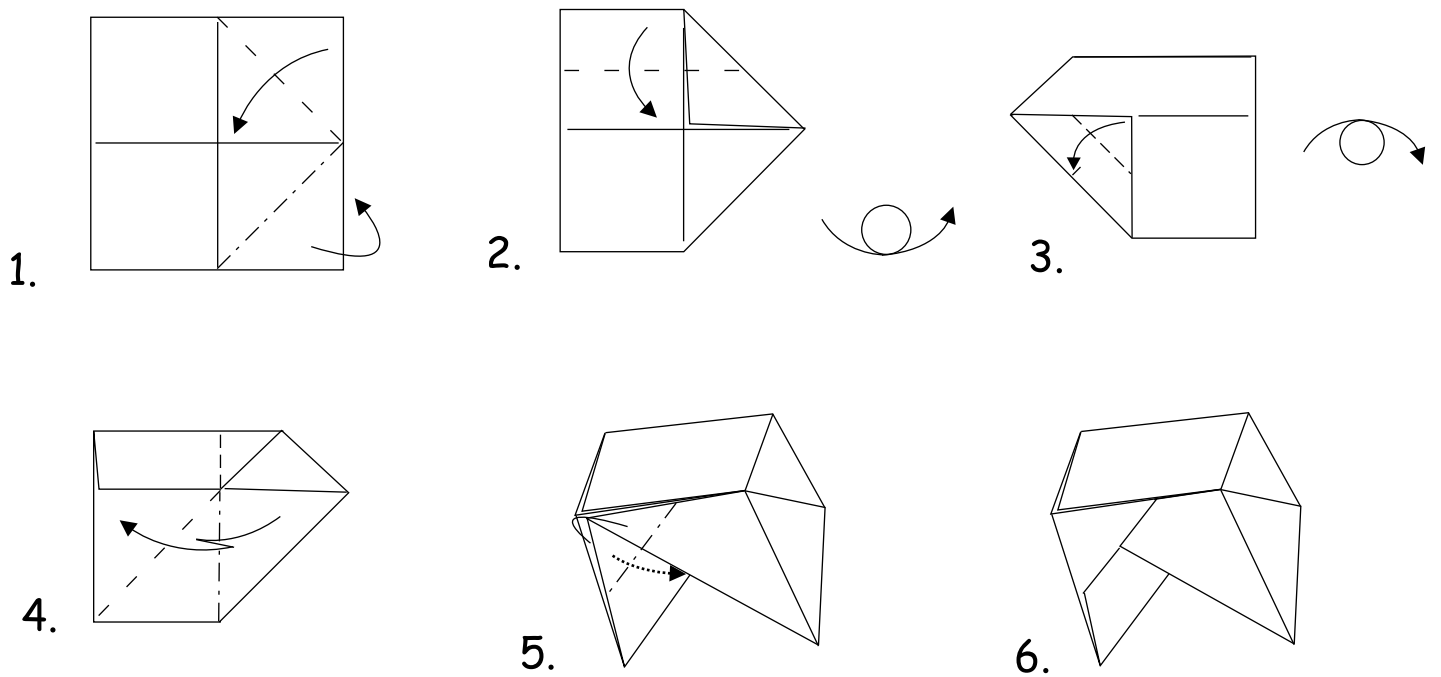
Pajarita boxes

by Eugeny Fridrikh

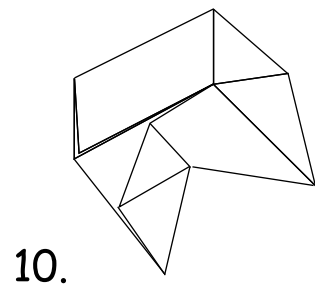
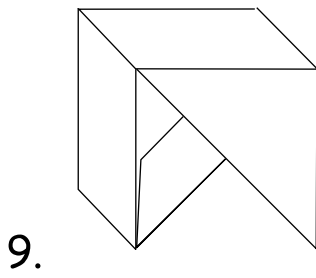
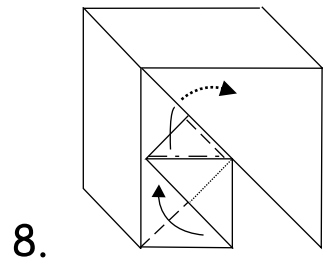
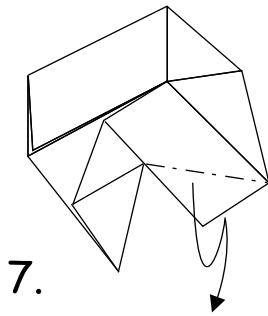
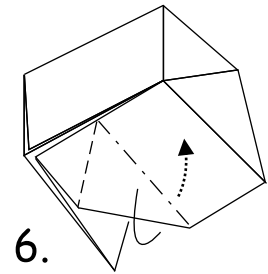
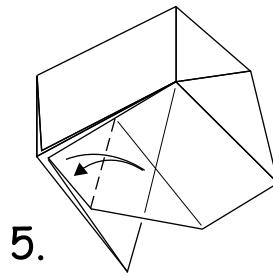
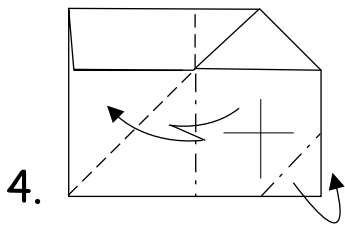
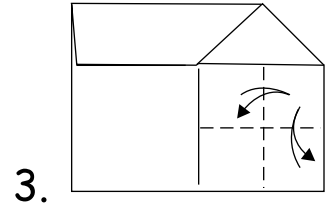
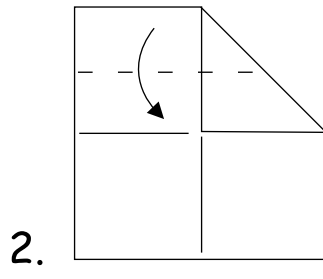
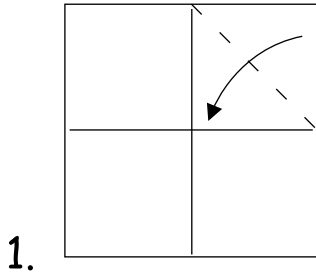
Lid unit A



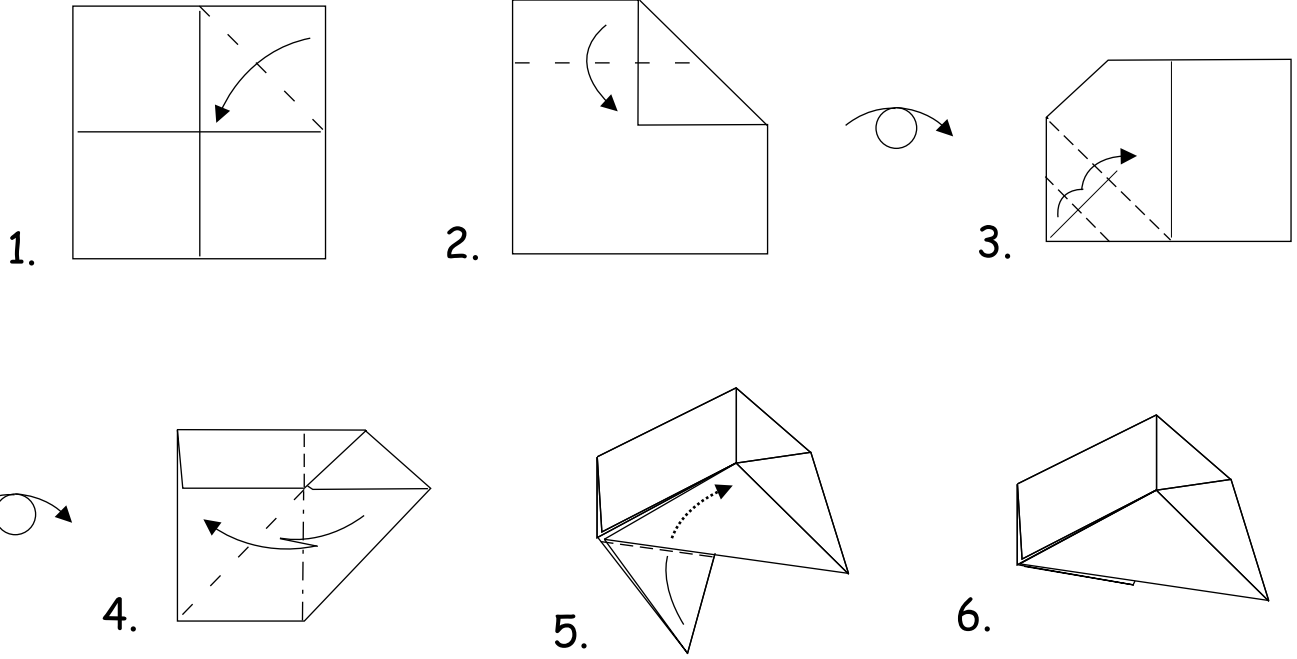
Lid unit B



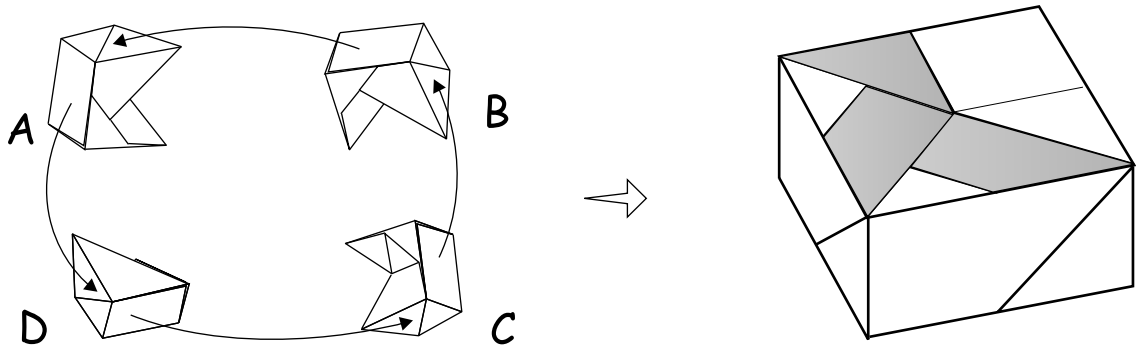
Lid unit C



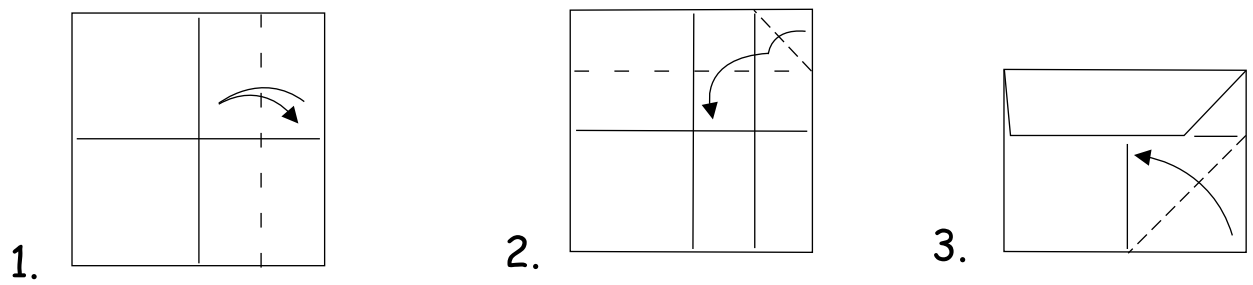
Lid unit D

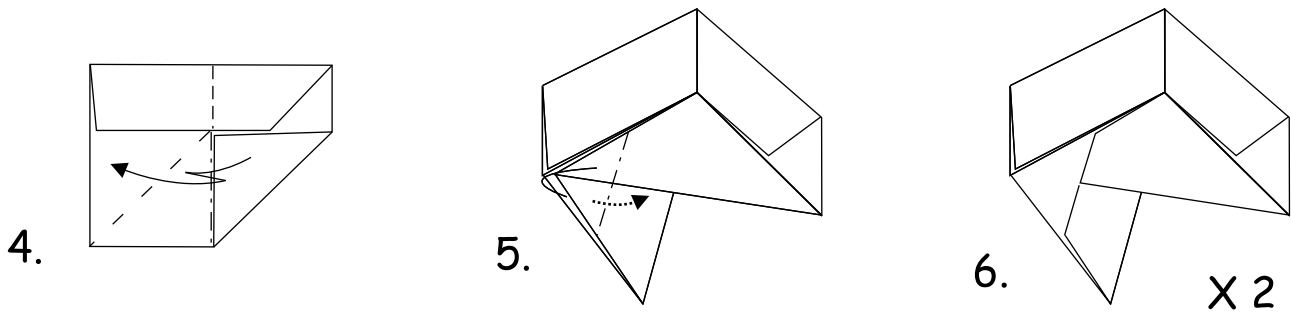


Assembling:

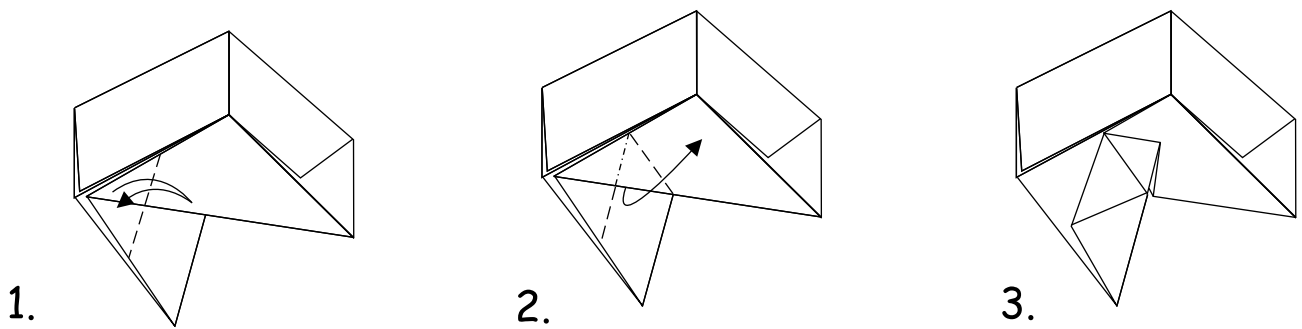


Bottom unit A



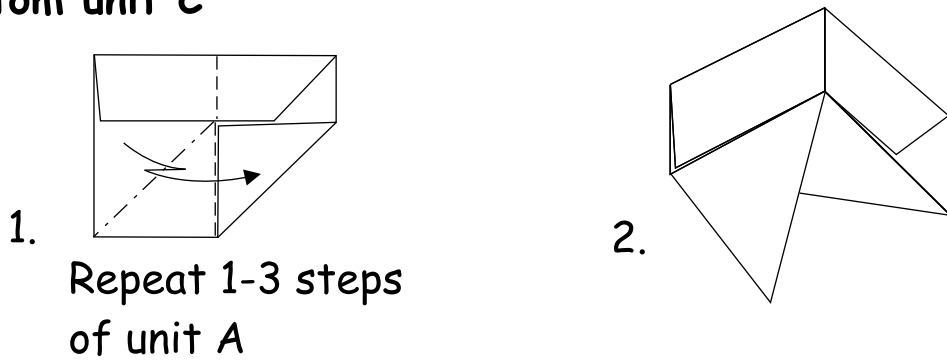


Bottom unit B

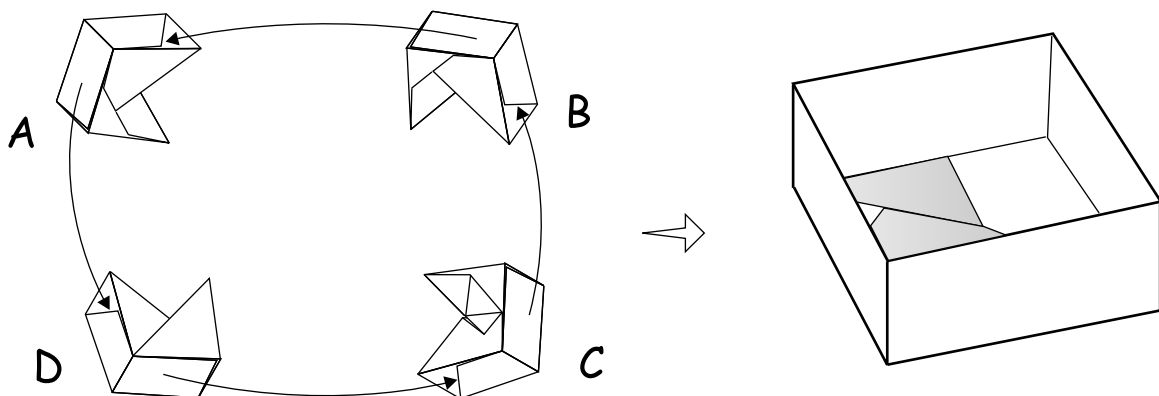


Repeat 1-4 steps
of unit A

Bottom unit C

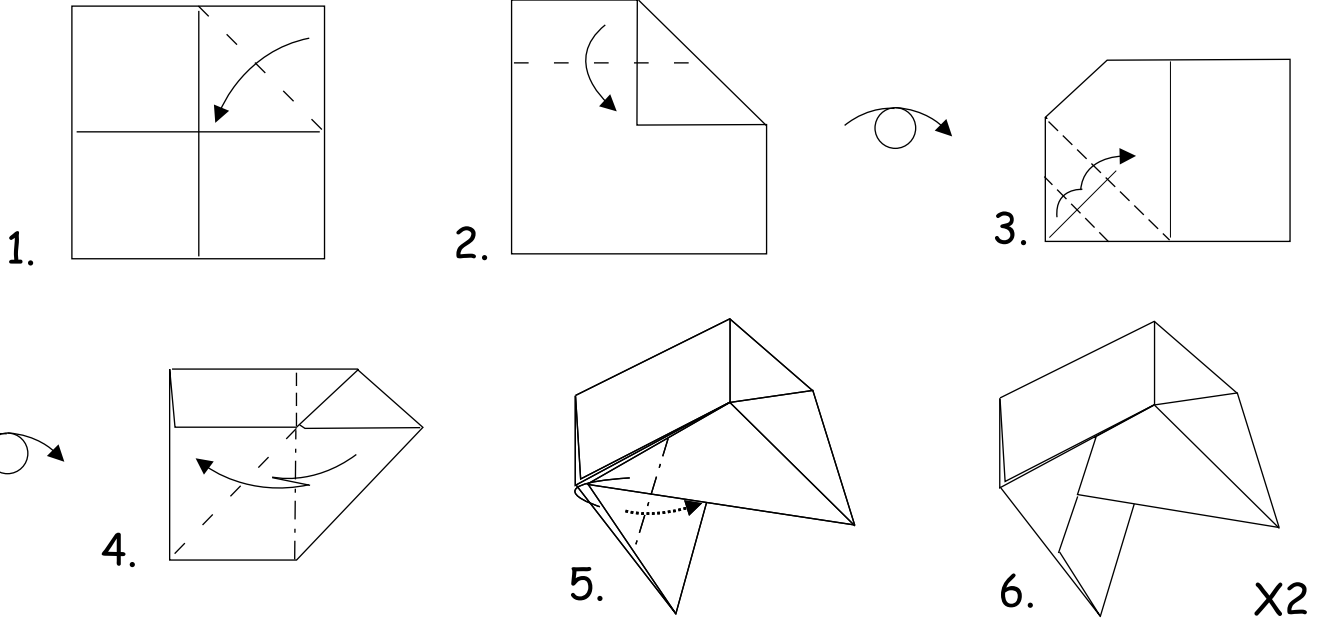


Assembling

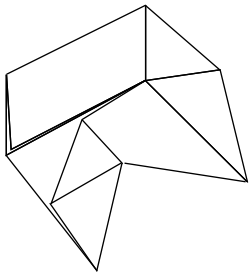


Windmill variation

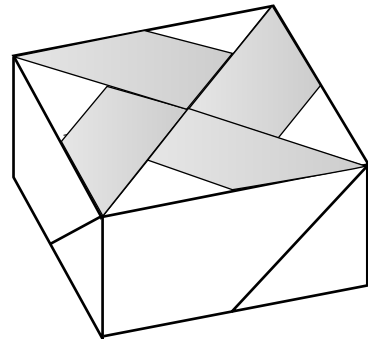
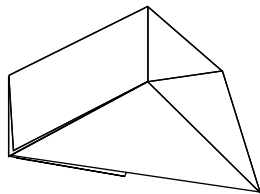
Lid units A & B



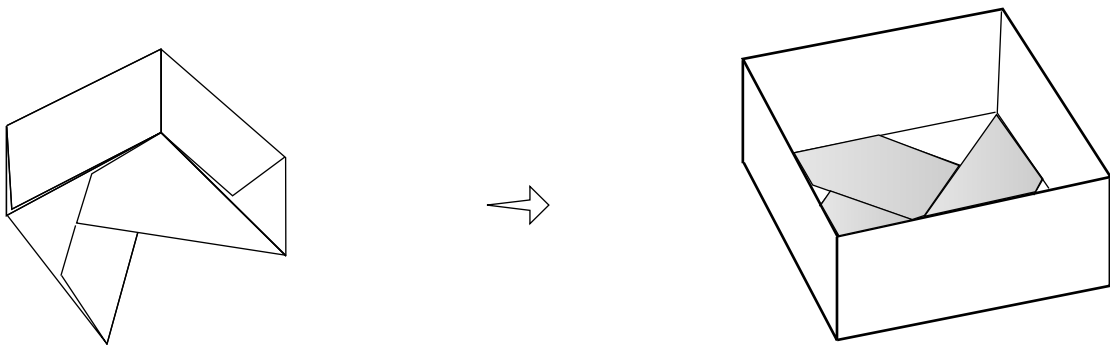
Unit C (see p.)



Unit D (see p.)

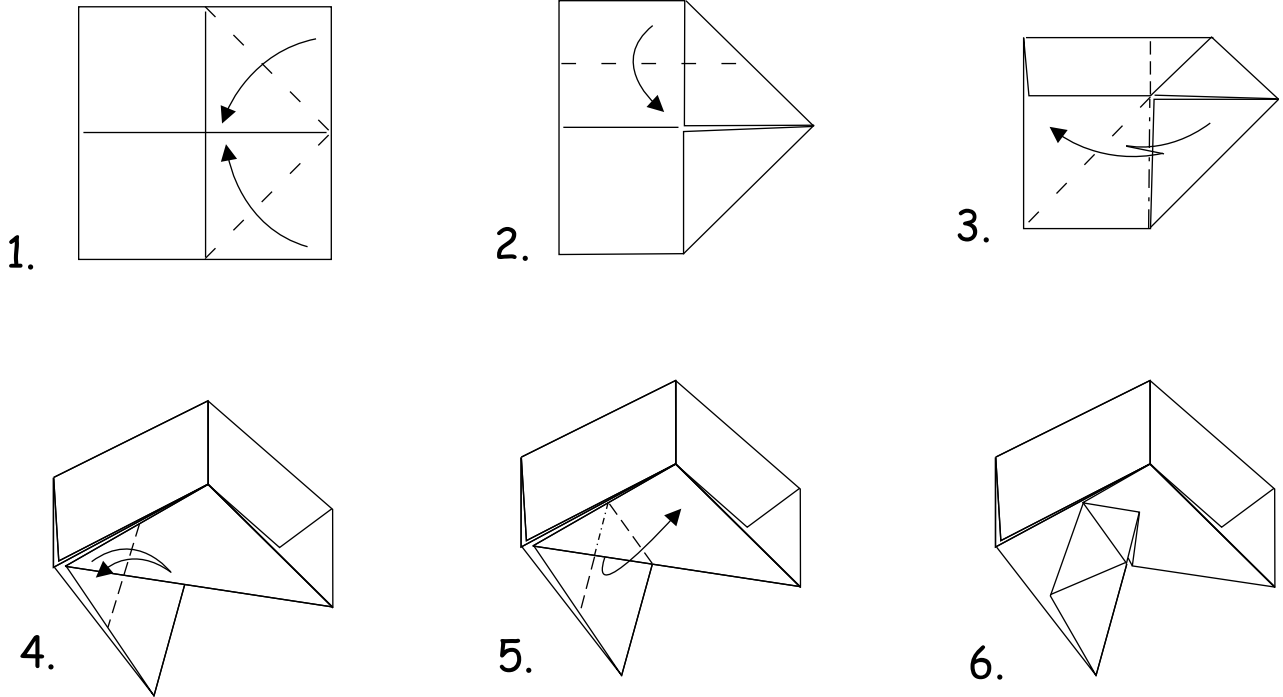


Make the bottom from
4 units A of the first box

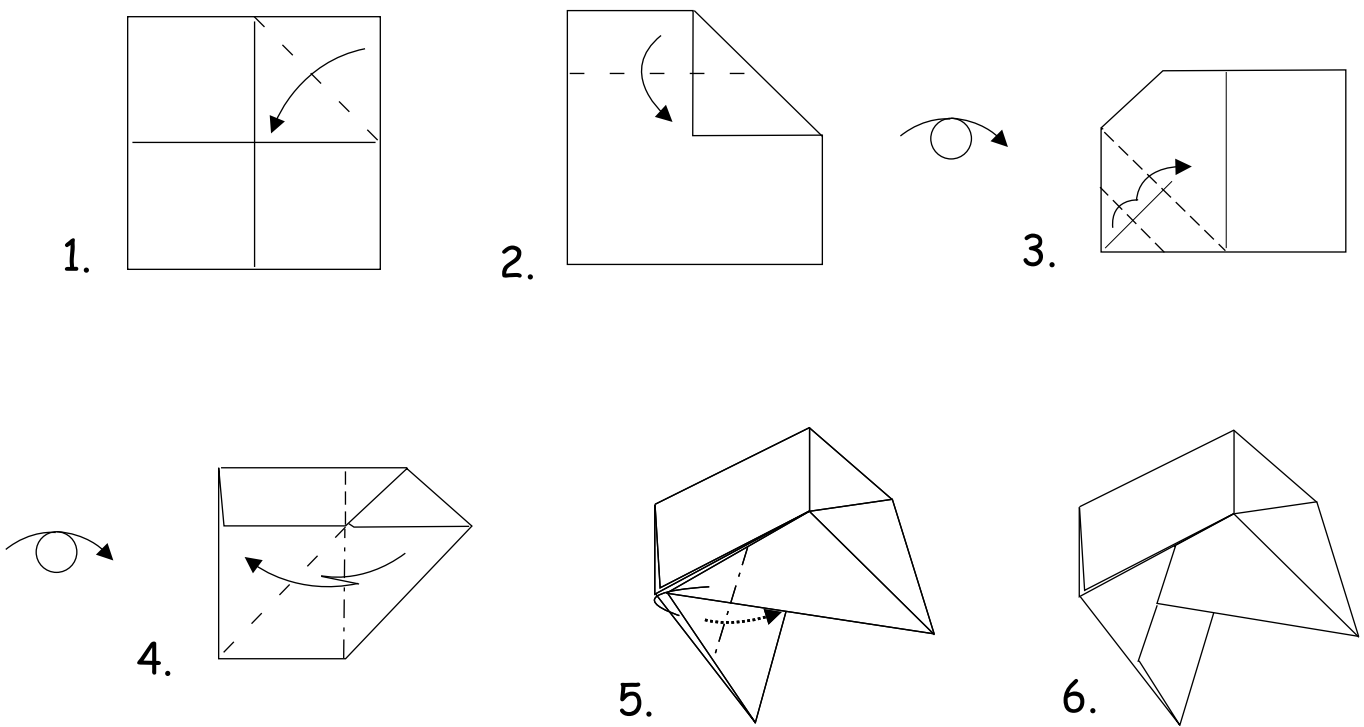


Sailboat variation

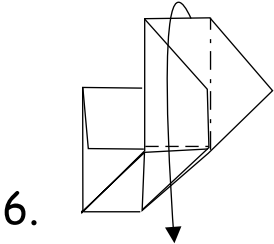
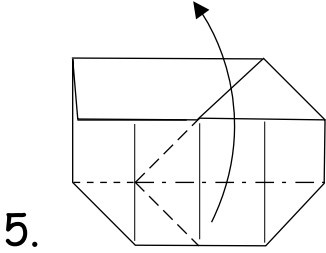
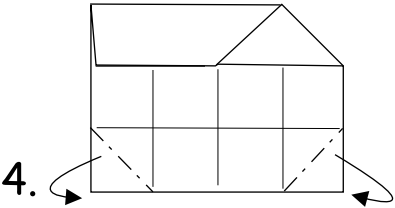
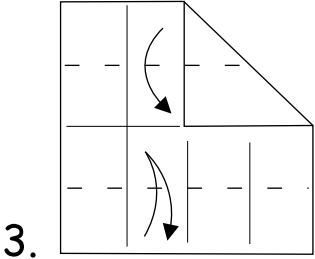
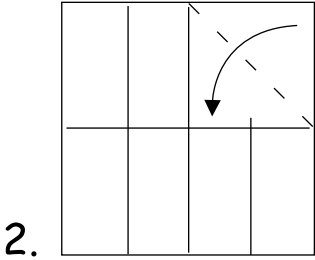
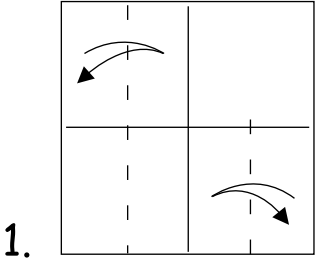
Lid unit A



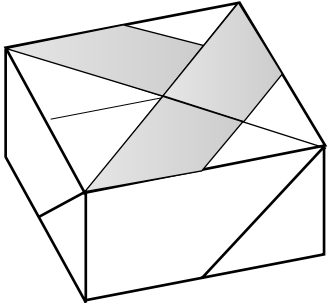
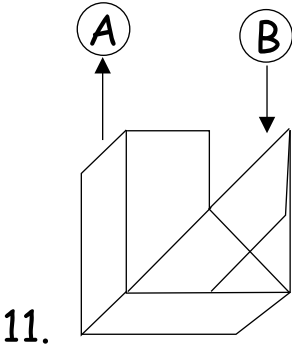
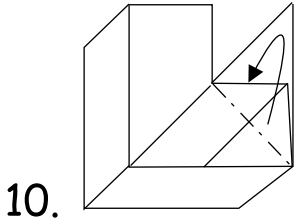
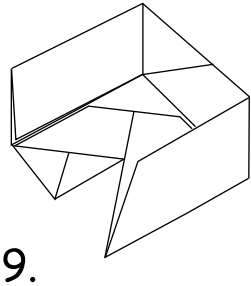
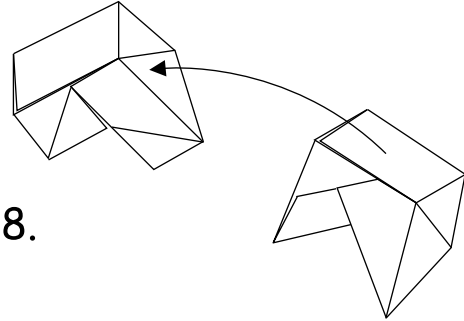
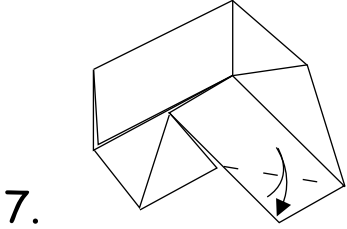
Lid unit B & C



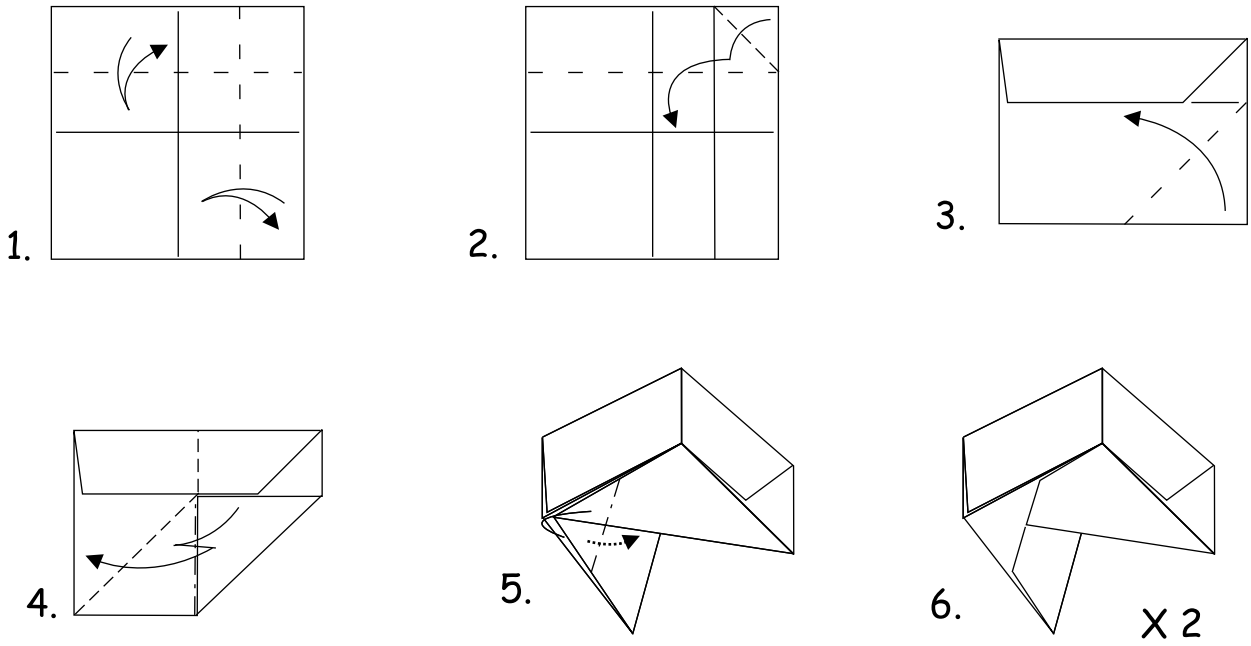
Lid unit D



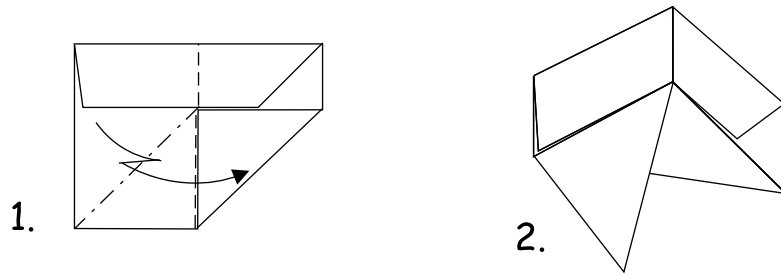
Assembling C + D



Bottom unit A&B



Bottom unit C



Bottom unit D

