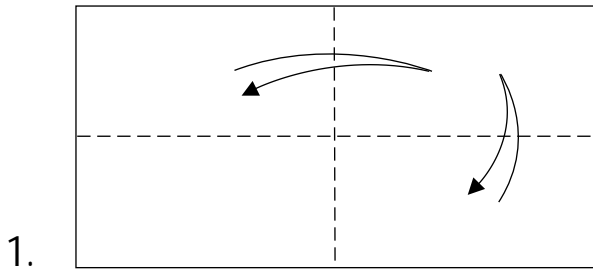
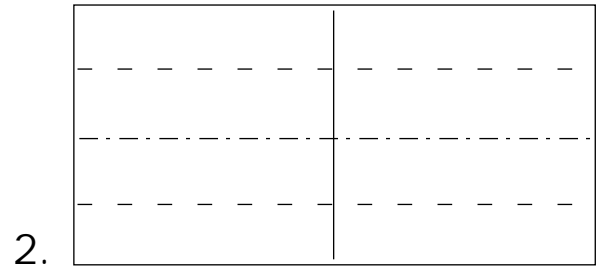


# Caterpillar on a leaf

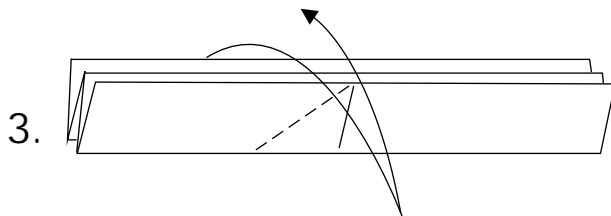
by Eugeny Fridrikh



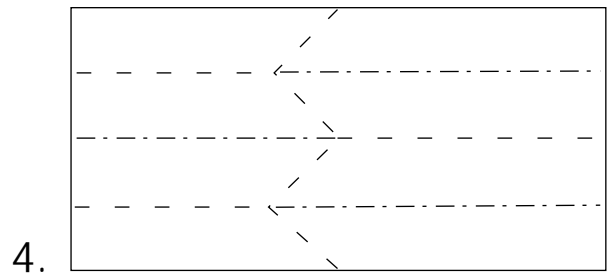
Start with 1:2 rectangular sheet of paper colored green/white. White side up.



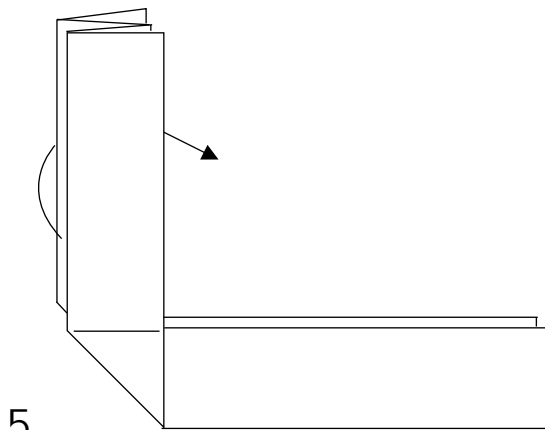
Precrease valley and mountain folds, then make the zig-zag.



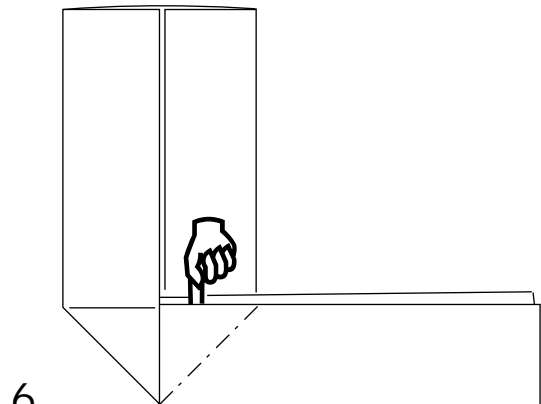
Precrease and return to step 2.



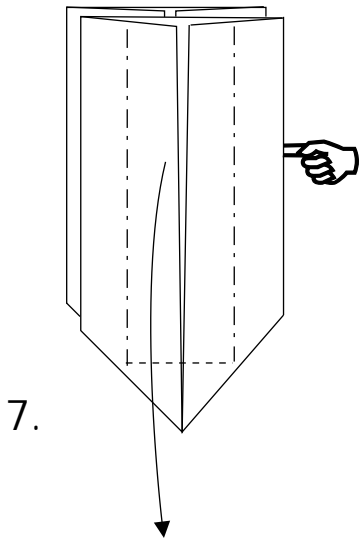
Form the model, using the creases were made before.



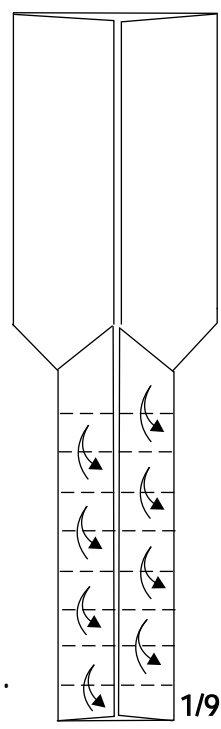
Turn back layer.



Squash-fold.

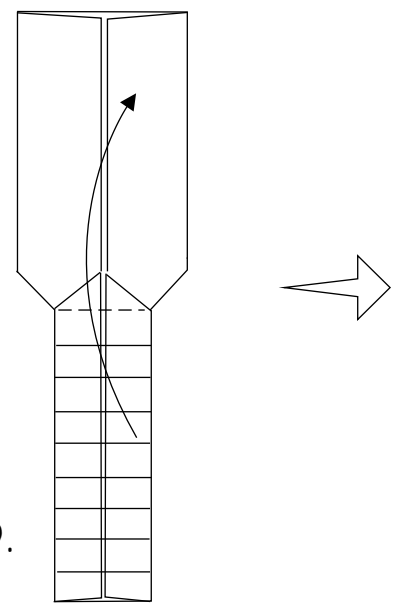


7.  
Petal fold with one layer.

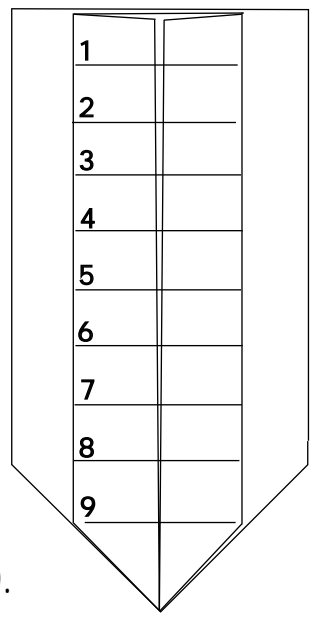


8.  $1/9$

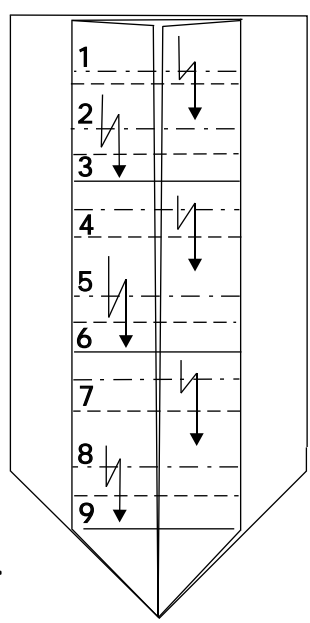
Divide the strip on 9 parts.



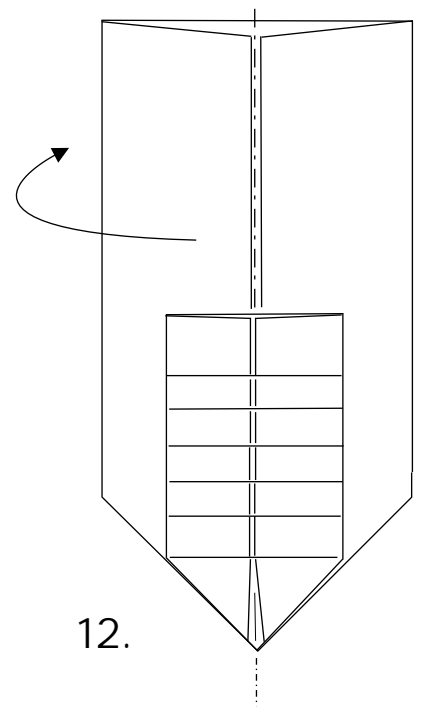
9.



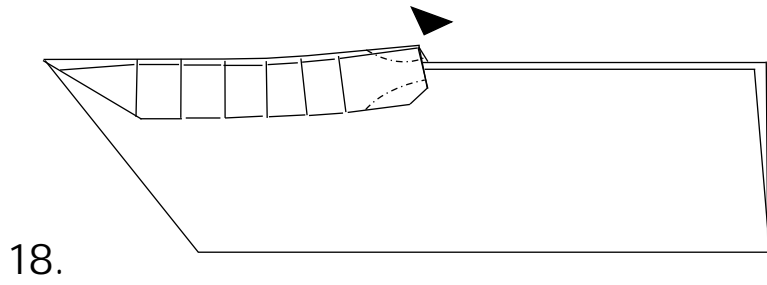
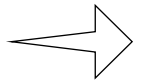
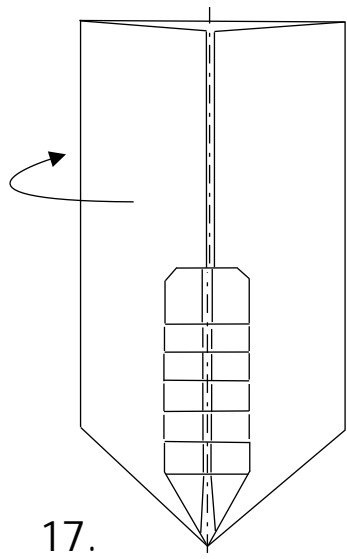
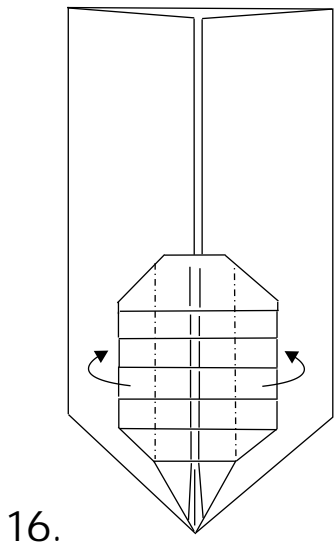
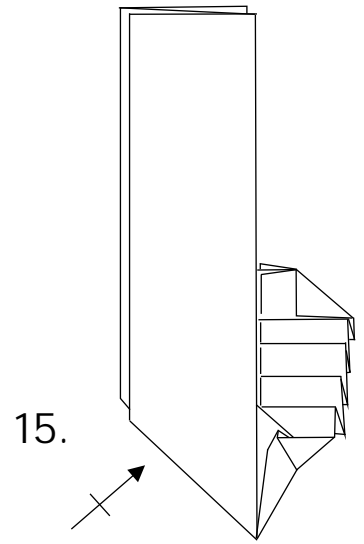
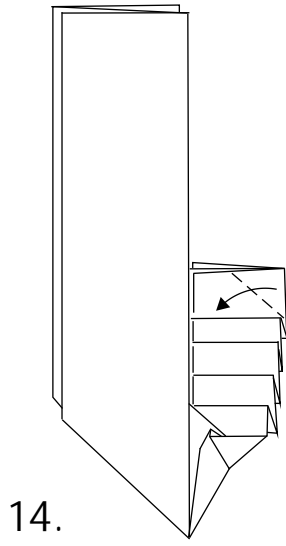
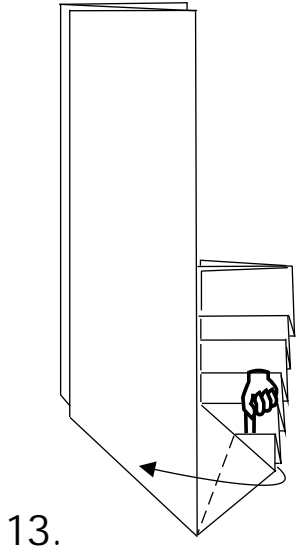
10.  
Note the 9 rectangles

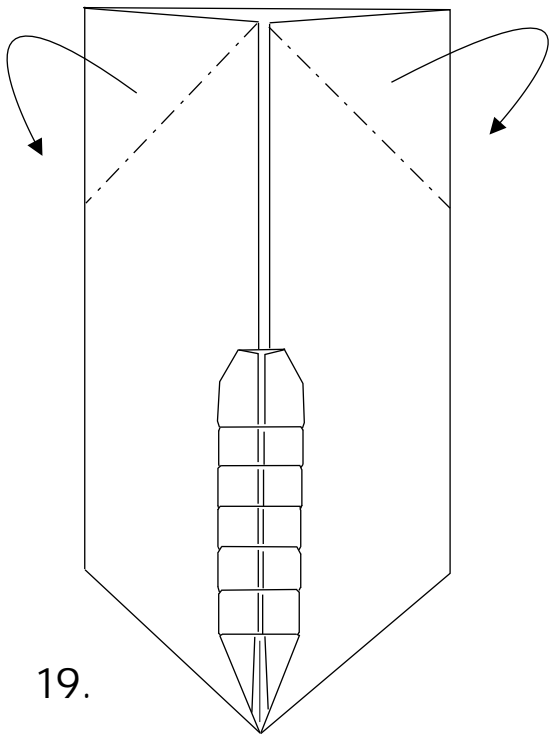


11.  
Pleat.  
Keep attention: see on the figures!



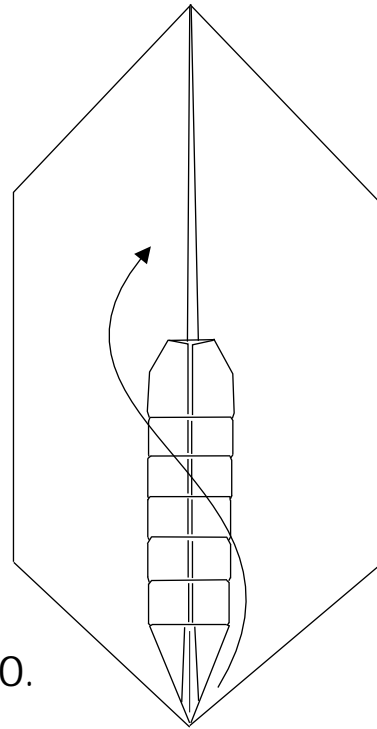
12.  
Fold back layer in half.





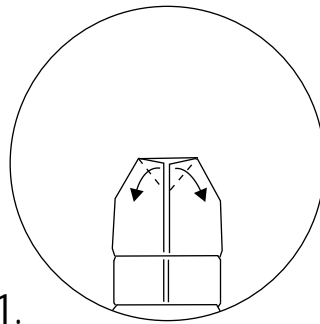
19.

Back air-plane fold.



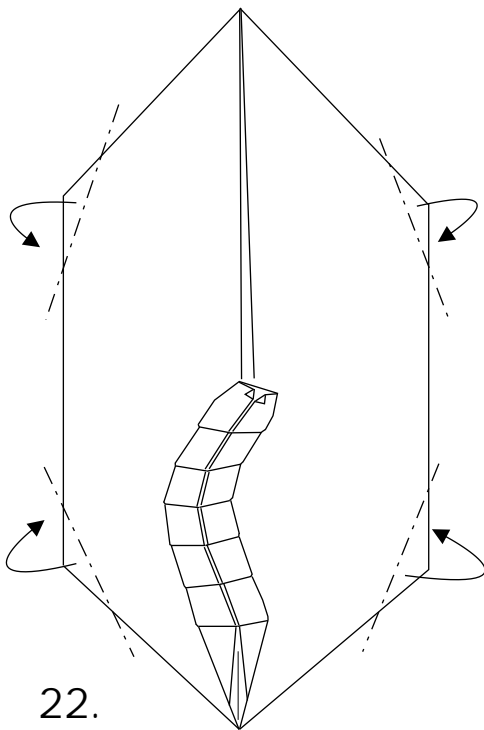
20.

Curve the caterpillar's body.



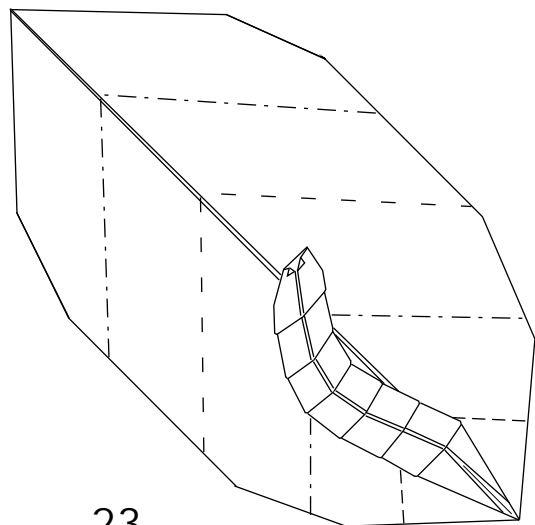
21.

Making the eyes.



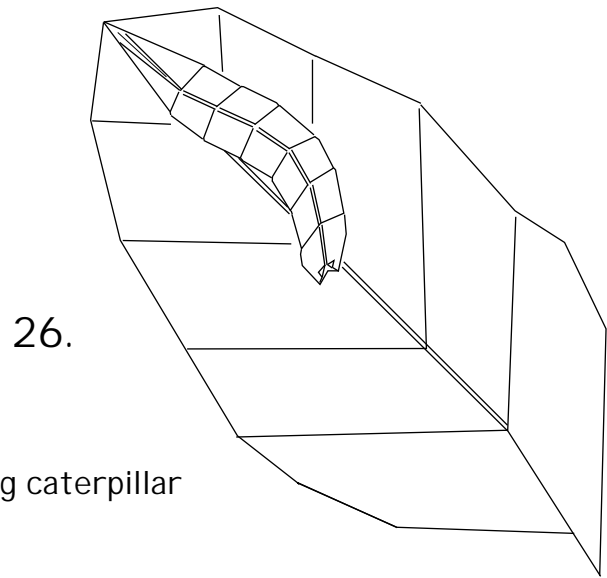
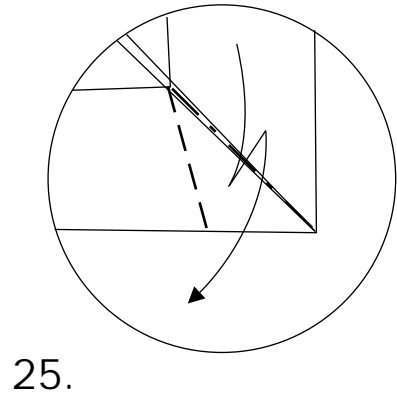
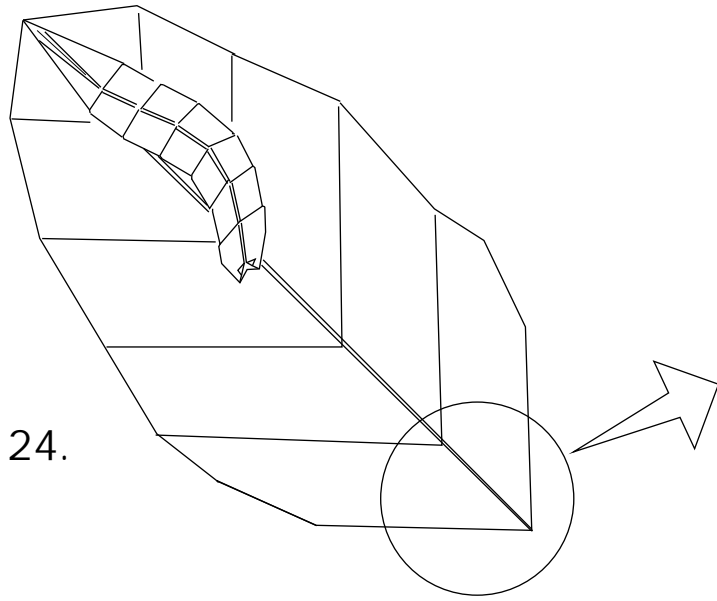
22.

Form the leaf's shape.



23.

...The same too.



The leaf with crawling caterpillar completed!

